

XD232, XD1032, XD1132

ON THIS PAGE

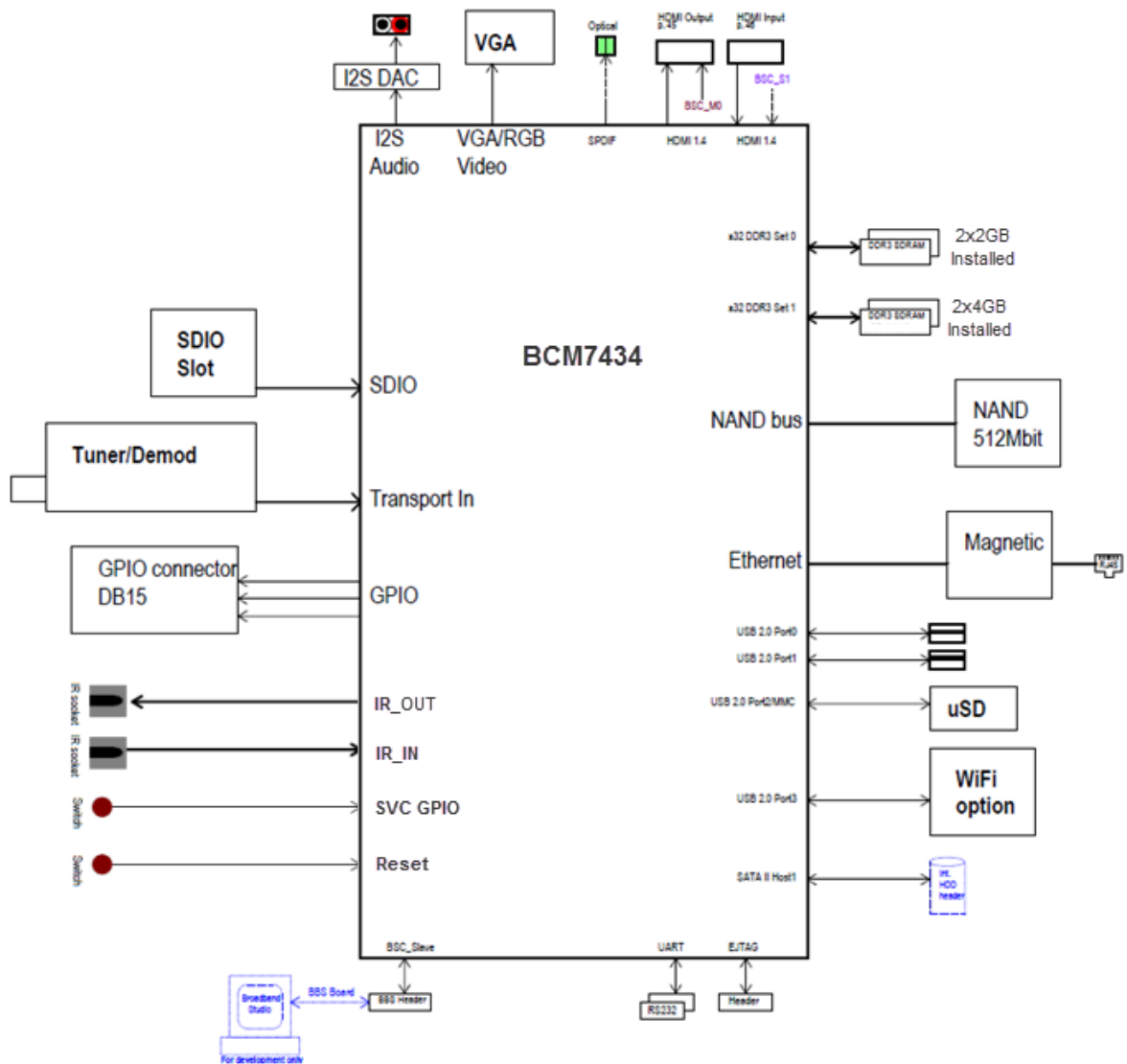
- [Block Diagram](#)
- [Interfaces](#)
 - [XD232](#)
 - [XD1032](#)
 - [XD1132](#)

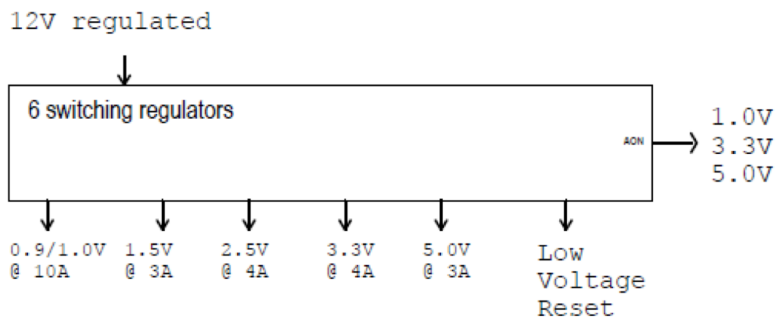
The BrightSign XD232, XD1032, and XD1132 players can be used to decode images, audio, and up to two HD video streams for digital sign and kiosk applications. In addition to driving video and audio displays, these players can be controlled with various networked and built-in interfaces.

This reference manual specifies the hardware interfaces and operational theory of the BrightSign XD232, XD1032, and XD1132.

The term "XDx32" is often used to denote the XD232, XD1032, and XD1132 models and differentiate them from the XD230, XD1030, and XD1230 models.

Block Diagram





Interfaces

XD232

Front	Left	Right	Back	Internal
3.5mm IR in/out	GPIO service button	SDHC/SDXC flash card slot	12V Molex power connector (4-pin)	MicroSD slot
DA15 GPIO		Status/error LED (red)	DE15 VGA video connector	WiFi Module connector
		Update LED (yellow)	Stereo 3.5mm mini plug for audio output	
		Power LED (green)	HDMI Out	
		SD activity LED (green)	RJ45 Ethernet (PoE)	
		MicroSD presence LED (green)	GPIO reset button	
		Ethernet activity LED (green)		
		WiFi activity LED (green)		
		Server connection (green)		

XD1032

Front	Left	Right	Back	Internal
3.5mm IR in/out	USB 2.0 (2x)	SDHC/SDXC flash card slot	12V Molex power connector (4-pin)	MicroSD slot
DE9 RS232 serial (male)		Status/error LED (red)	DE15 VGA video connector	WiFi Module connector
DA15 GPIO		Update LED (yellow)	Stereo 3.5mm mini plug for audio output	
SPDIF out		Power LED (green)	HDMI Out	
		SD activity LED (green)	RJ45 Ethernet (PoE)	
		MicroSD presence LED (green)	GPIO reset button	
		Ethernet activity LED (green)		
		WiFi activity LED (green)		
		Server connection (green)		

XD1132

Front	Left	Right	Back	Internal
3.5mm IR in/out	USB 2.0 (2x)	SDHC/SDXC flash card slot	12V Molex power connector (4-pin)	MicroSD slot
DE9 RS232 serial (male)		Status/error LED (red)	DE15 VGA video connector	WiFi Module connector
DA15 GPIO		Update LED (yellow)	Stereo 3.5mm mini plug for audio output	
SPDIF out		Power LED (green)	HDMI Out	
		SD activity LED (green)	HDMI Input	
		MicroSD presence LED (green)	RJ45 Ethernet (PoE)	

		Ethernet activity LED (green)	GPIO reset button	
		WiFi activity LED (green)		
		Server connection (green)		