

XD233, XD1033

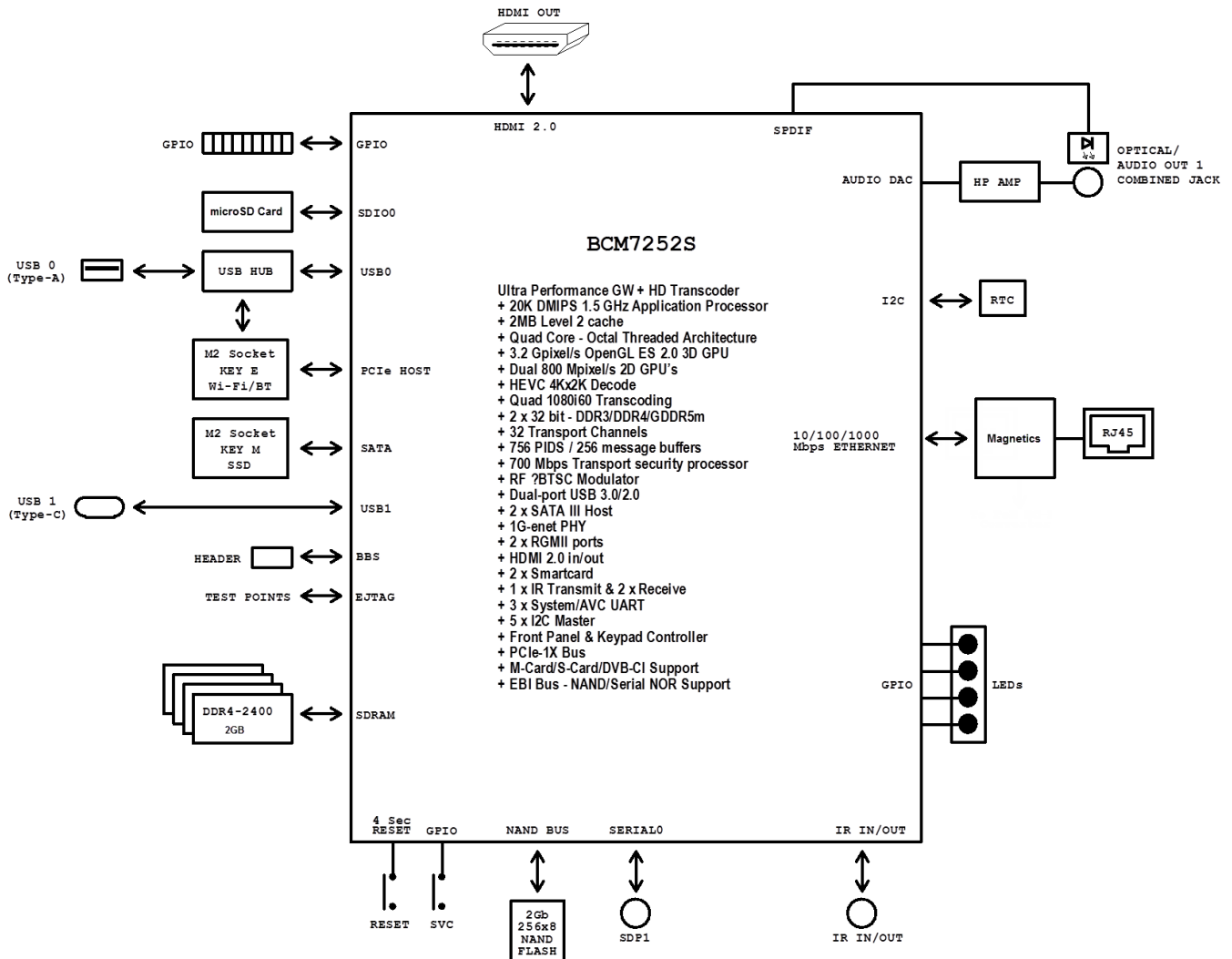
ON THIS PAGE

- [Block Diagram](#)
- [Interfaces](#)
 - [XD233](#)
 - [XD1033](#)

The BrightSign XD233 and XD1033 media players can be used to decode images, audio, and video (at resolutions up to 4096x2160x60p) for digital-signage and kiosk applications. In addition to driving audio/video devices, these players can be controlled with various networked and built-in interfaces.

This manual specifies the hardware interfaces and operational theory of the XDx33 series.

Block Diagram



Interfaces

XD233

Front	Back
Status LEDs	WiFi antenna connector (1 of 2)

microSD card slot	3.5mm audio out
HDMI out	3.5mm IR in/out
Service button (SVC)	GPIO (12 pins)
Reset button (Reset)	12V@3A Molex power connector
RJ45 LAN	WiFi antenna connector (2 of 2)

XD1033

Front	Back
Status LEDs	WiFi antenna connector (1 of 2)
microSD card slot	3.5mm audio out
HDMI out	USB 2.0 (Type A connector)
USB 2.0 (Type C connector)	3.5mm IR in/out
Service button (SVC)	3.5mm serial
Reset button (Reset)	GPIO (12 pins)
RJ45 LAN	12V@3A Molex power connector
	WiFi antenna connector (2 of 2)