

# LS424

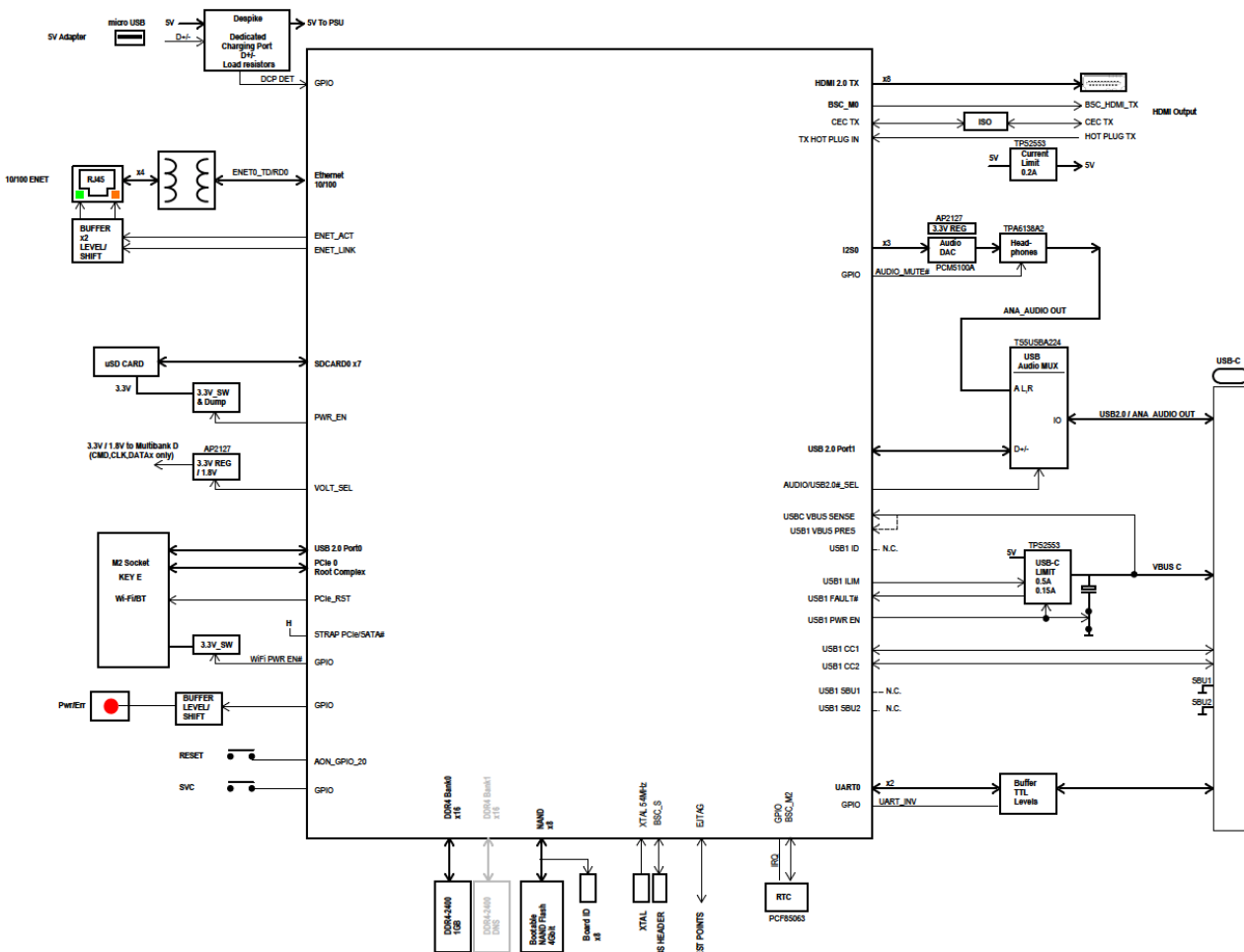
## ON THIS PAGE

- [Block Diagram](#)
- [Interfaces](#)

The BrightSign LS424 media player can be used to decode images, audio, and video (at resolutions up to 1920x1080x60p) for digital-signage and kiosk applications. In addition to driving audio/video devices, these players can be controlled with various networked and built-in interfaces.

This manual specifies the hardware interfaces and operational theory of the LS424.

## Block Diagram



## Interfaces

Front	Back
WiFi antenna connector	HDMI out
Reset button (Reset)	Power connector (USB Micro-B)
Service button (SVC)	RJ45 LAN
USB 2.0 (Type-C connector)	
microSD card slot	
Power and status LED (red)	