

HD120, HD220, HD1020

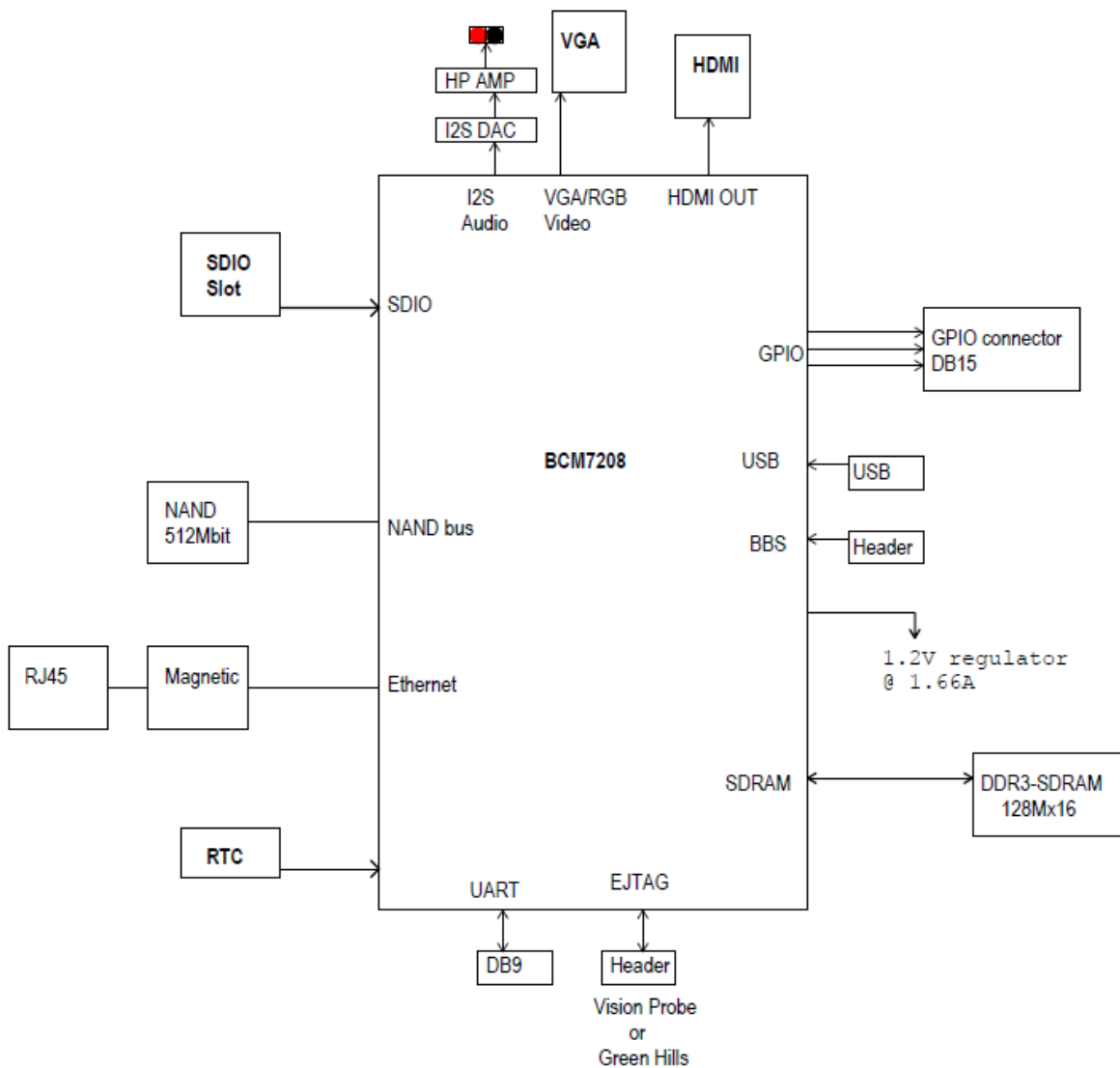
ON THIS PAGE

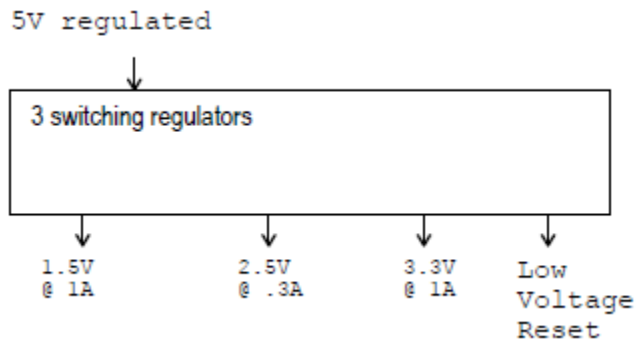
- [Block Diagram](#)
- [Interfaces](#)
 - [HD120](#)
 - [HD220](#)
 - [HD1020](#)

The BrightSign HD120, HD220, and HD1020 players can be used to drive a variety of HDTV and computer monitors for digital sign and kiosk applications. In addition to driving a video display, these players have many different built-in interfaces that allow them to be controlled.

This section specifies the hardware interfaces on the BrightSign HD120, HD220, and HD1020.

Block Diagram





Interfaces

HD120

Front	Left	Right	Back
DA15 female for GPIO, IR in/out, and 3.3 V power	GPIO button	SD/SDHC flash card slot	Reset button
	Stereo 3.5mm mini plug for audio output	Red status/error LED	DE15 VGA video connector
		Yellow update LED	HDMI connector
		Green power LED	Power plug for 5 V power input at 3 A
		Green flash activity LED	

HD220

Left	Right	Right	Back
GPIO button	SD/SDHC flash card slot	SD/SDHC flash card slot	Reset button
Stereo 3.5mm mini plug for audio output	Red status/error LED	Red status/error LED	10/100 Ethernet jack
	Yellow update LED	Yellow update LED	DE15 VGA video connector
	Green power LED	Green power LED	HDMI connector
	Green flash activity LED	Green flash activity LED	Power plug for 5 V power input at 3 A

HD1020

Front	Left	Right	Back
DE9 male RS-232	GPIO button	SD/SDHC flash card slot	Reset button
DA15 female for GPIO, IR in/out, and 3.3 V power	USB connector	Red status/error LED	DE15 VGA video connector
	Stereo 3.5mm mini plug for audio output	Yellow update LED	HDMI connector
		Green power LED	Power plug for 5 V power input at 3 A
		Green flash activity LED	